



Ku-Band Substrate Integrated Waveguide (SIW) Slot Array Antenna for Next Generation Networks

By Sourav Moitra, Asish Kumar Mukhopadhyay
& Anup Kumar Bhattacharjee

Jadavpur University, India

Abstract - The design of an antenna based on Substrate Integrated Waveguide (SIW) has been realized in this paper. The structure consists of an array of slot antenna designed to operate in Ku-band applications. The effect of introducing arrays of slots has been extensively studied unlike any other recent publications in this field. The basic structure has been designed over a dielectric substrate with dielectric constant of 3.2 and with a thickness of 0.782mm. The design consists of a SIW antenna fed with a microstrip to SIW transition. Multiple slot array effects have been studied and analyzed using CST Microwave Studio full wave EM Simulator which supports Finite Element Method (FEM) of computational Electromagnetics. The design has been supported with its return loss and radiation pattern characteristics to validate Ku-band operation. The effect of increasing the number of slot arrays has also been analyzed to support integration to System-on-Substrate (SoS) which promises more compact layouts.

Keywords : *substrate integrated waveguide (SIW), dielectric filled waveguide (DFW), ku-band, antenna design.*

GJCST-E Classification : *C.2.1*



Strictly as per the compliance and regulations of:



Ku-Band Substrate Integrated Waveguide (SIW) Slot Array Antenna for Next Generation Networks

Sourav Moitra^α, Asish Kumar Mukhopadhyay^σ & Anup Kumar Bhattacharjee^ρ

Abstract - The design of an antenna based on Substrate Integrated Waveguide (SIW) has been realized in this paper. The structure consists of an array of slot antenna designed to operate in Ku-band applications. The effect of introducing arrays of slots has been extensively studied unlike any other recent publications in this field. The basic structure has been designed over a dielectric substrate with dielectric constant of 3.2 and with a thickness of 0.782mm. The design consists of a SIW antenna fed with a microstrip to SIW transition. Multiple slot array effects have been studied and analyzed using CST Microwave Studio full wave EM Simulator which supports Finite Element Method (FEM) of computational Electromagnetics. The design has been supported with its return loss and radiation pattern characteristics to validate Ku-band operation. The effect of increasing the number of slot arrays has also been analyzed to support integration to System-on-Substrate (SoS) which promises more compact layouts.

Indexterms : substrate integrated waveguide (SIW), dielectric filled waveguide (DFW), ku-band, antenna design.

I. INTRODUCTION

The next generation communication networks require ultra-wide bandwidth for which transmission antennas are required to operate in the Ku-band in particular for satellite and mobile communication. Nowadays, antenna design in Ku-Band has been one of the major focused areas. Ku-band systems have wide applications in satellite communications, especially in the mobile antenna systems used in vehicles. Apart from communication networks, there are several other application areas of Ku-band systems such as weather radars and fire detection radars. These systems need highly directive antennas with a very wide frequency band covering the entire Ku-Band to transmit signals to the receiver with equal power in the whole frequency range and an automatic tracking system to capture the maximum power incident from the satellite while the time and place of the receiver changed.

Author α : B-Tech, M-Tech Assistant Professor in the Dept of Electronics & Communication Engineering, Dr. B C Roy Engineering College, Durgapur, India. E-mail : souravmoitra25@yahoo.in

Author σ : M.Tech (ECE) from IIT Kharagpur and Ph.D (Engg), Jadavpur University, Director, Bengal Institute of Technology & Management, Santiniketan, India.

Author ρ : B.E. M.E. PhD, Professor in Electronics & Communication Engineering Dept. in National Institute of Technology, Durgapur, India.

Array antennas have several applications in communications systems. They are usually developed using microstrip or waveguide technologies. However, with the development of a novel technology called substrate integrated waveguide (SIW), it is possible to attain many advantages like low cost, reduced sizes, easy integration, etc [1].

Substrate Integrated Waveguide (SIW) has emerged as a new concept for millimeter-wave (mm-wave) integrated circuits and systems for the next generation due to their manifold advantages. A waveguide based on SIW is considered as a dielectric filled rectangular waveguide whose metallic walls are formed by cylindrical via arrays with diameter d and separation p between vias (pitch). SIW yields high performance from very compact planar circuits [2].

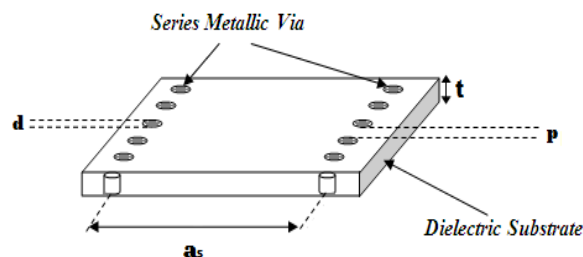


Figure 1 : Basic SIW structure realized on a dielectric substrate

II. SIW ANTENNA DESIGN

SIW are integrated waveguide-like structures fabricated by using two rows of conducting cylinders and slots embedded in a dielectric substrate that connect two parallel metal plates (Fig. 1). In this way, the non-planar rectangular waveguide can be made in planar form compatible with existing planar processing techniques. SIWs exhibit propagation characteristics similar to that of classical rectangular waveguides. The modes of the SIW practically coincide with a subset of the modes of the rectangular waveguide, namely with the TE_{n0} modes, with $n = 1, 2, \dots$. In particular, the fundamental mode is similar to the TE_{10} mode of a rectangular waveguide, with vertical electric current density on the side walls. TM modes cannot exist in the SIW, due to the gaps between metal vias: in fact, transverse magnetic fields determine longitudinal

surface current. Due to the presence of the gaps, longitudinal surface current is subject to a strong radiation, preventing the propagation of TM modes [3]. Moreover, SIW structures preserve most of the advantages of conventional metallic waveguides, namely, high quality-factor and high power handling capability [4].

a) Feed Design

The proposed structure has been fed with a conventional microstrip line. The section of the microstrip line connecting the radiating surface has been tapered for proper impedance matching. The structure used is commonly known to us as 'Microstrip-to-SIW Transition'. Several other transition techniques can be consulted in [3].

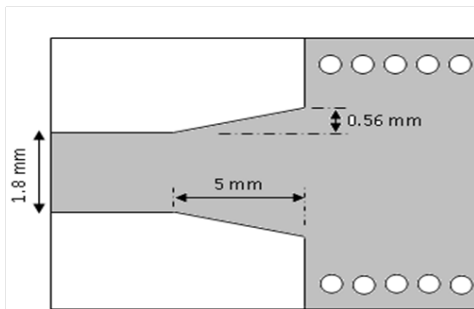


Figure 2 : Microstrip-to-SIW Transition

b) SIW Slot Antenna Array Design

Since SIW design generally works in $TE_{1,0}$ mode, so here $m=1$, $n=0$. Therefore the equation for cutoff frequency reduces to,

$$f_c = \frac{c}{2a} \quad (1)$$

For DFW (dielectric field waveguide) with same cut off frequency, dimension " a_d " is found by:

$$a_d = \frac{a}{\sqrt{\epsilon_r}} \quad (2)$$

Having determined the dimension " a_d " for the DFW, we can now pass to the design equations for SIW, which may be given as,

$$a_s = a_d + \frac{d^2}{0.95p} \quad (3)$$

where, a is the total broad side dimension of the rectangular waveguide, a_s is the separation between via rows (centre to centre), a_d is the width of DFW, d is the diameter, p is the pitch (as shown in Figure 1) and c is the velocity of light in free space [5-7].

Also TE and TM modes represent Transfer Electric Mode and Transfer Magnetic Mode respectively. The suffixes m and n represents number of half waves in

the x and y direction considering z as the direction of wave propagation.

The cut-off frequency of the SIW can be obtained using the above design equations. In our design we focused on the Ku-band applications and in our case the antenna has been designed to resonate at frequency of 16GHz. The dimensions of the slots are important for the antenna to behave as a slot antenna. The dimensions of the slots can be obtained with the help of the following relations.

$$b = \frac{\lambda_0}{\sqrt{2(\epsilon_r + 1)}} \quad (4)$$

Dimension of c doesn't matters much but should be less than half of b . The gap between centre to centre of slots has been considered as $\frac{\lambda_g}{2}$ whereas the gap between the last slot and the closing face has been taken as $\frac{\lambda_g}{4}$ (Figure 3).

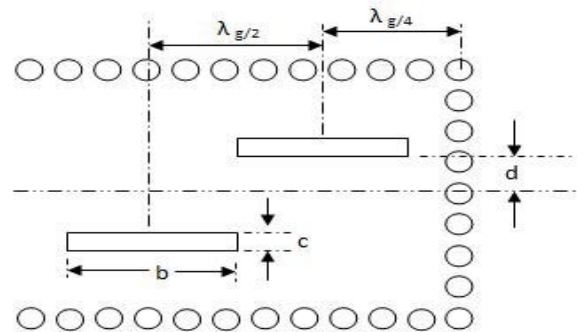


Figure 3 : Slot dimensions & gap between slots

The final structure as obtained after a microstrip to SIW transition with 2 slots has been shown in Figure 4. The return loss of the 2 slot structure as obtained using EM CAD tool has been shown in Figure 5. The antenna has been found to resonate at 15.75GHz with a return loss of 15dB.

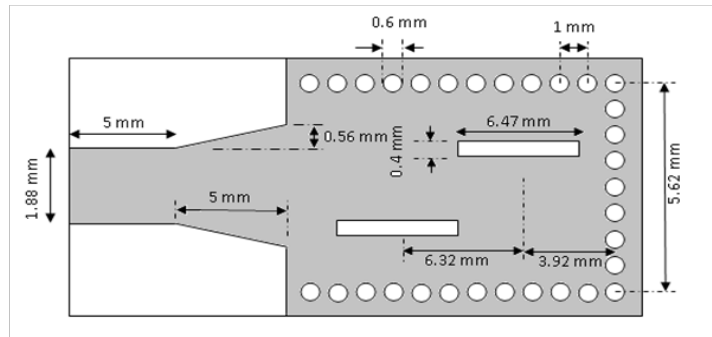


Figure 4 : Dimension for 2 slot SIW array antenna

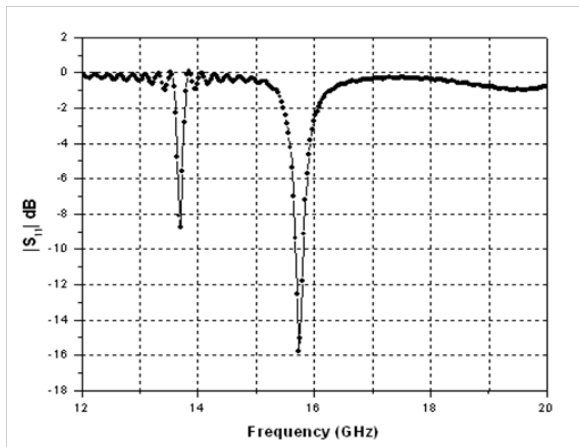


Figure 5 : S-parameter of 2 slot SIW array antenna

Our next objective has been to increase the number of slot and the effect on the return loss characteristic has been studied. The 2 slot array structure has been modified into a 4 slot array structure and the antenna has been found to resonate at 16.16GHz with a return loss of 16dB.

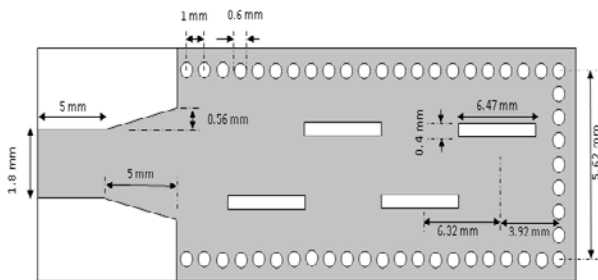


Figure 6 : Dimension for 4 slot SIW array antenna

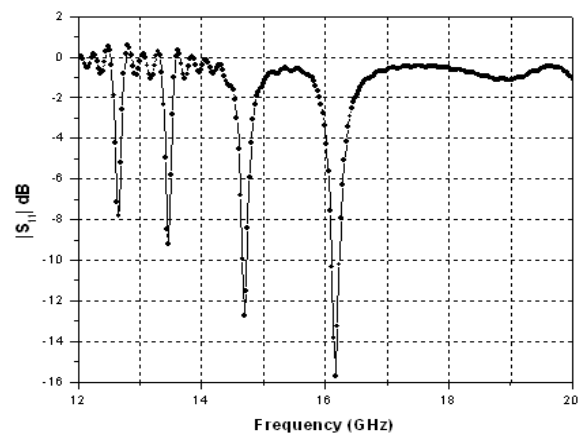


Figure 7 : S-parameter of 4 slot SIW array antenna

The 4 slot array structure has been modified to 6 slot array and the effect has been studied. The structure and the s-parameter of the 6 slot array have been shown in Figure 8 and Figure 9 respectively.

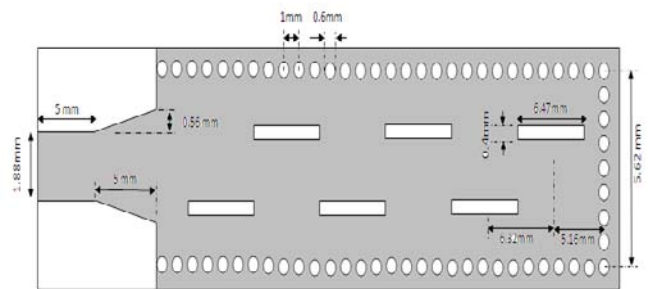


Figure 8 : Dimension for 6 slot SIW array antenna

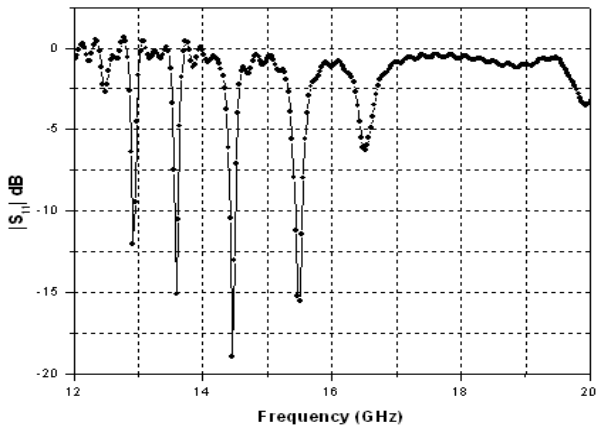


Figure 9 : S-parameter of 6 slot SIW array antenna

The 6 slot structure has been found to resonate at 15.5GHz with a return loss of 16dB. As found in 4 slot array structure, the increment of slots is creating separate resonant frequencies. In case of 6 slot array the structure tends to resonate at some other nearby frequencies within Ku-band. The antenna may be made to resonate at one single desired frequency by careful adjustments of the slot dimensions.

Table 1 : Comparison between multiple slot array antenna

No. of Slots	Resonant Frequency	Return loss (dB)	Gain (dBi)
2	15.75	15	3.7
4	16.16	16	5.7
6	15.5	16	6.3

III. RADIATION PATTERN

The simulated radiation pattern (co-pole & cross-pole) of the multiple slot array antenna based on SIW technology has been shown in Fig. 10. The results show that the structure comes with a constant gain over the entire band of resonance with an increase of gain with greater number of slots.

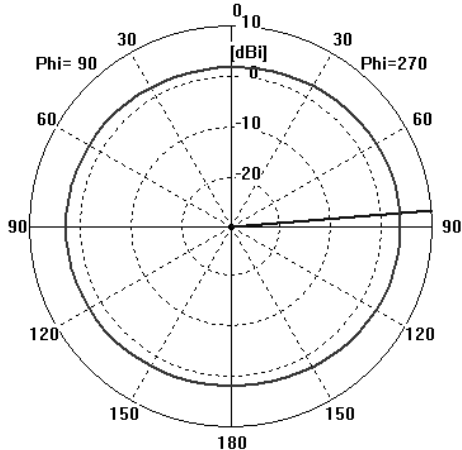


Figure 10 (a) : Radiation pattern of 2 slot array antenna (Co-polar)

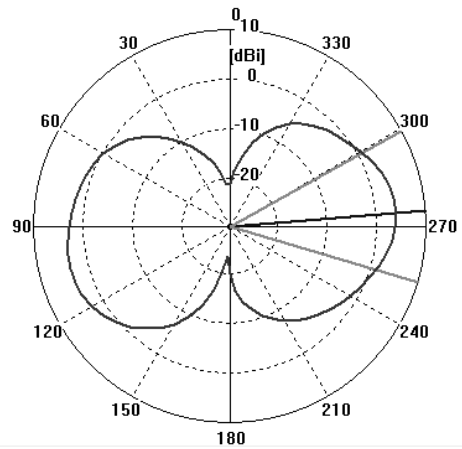


Figure 10 (b) : Radiation pattern of 2 slot array antenna (Cross-polar)

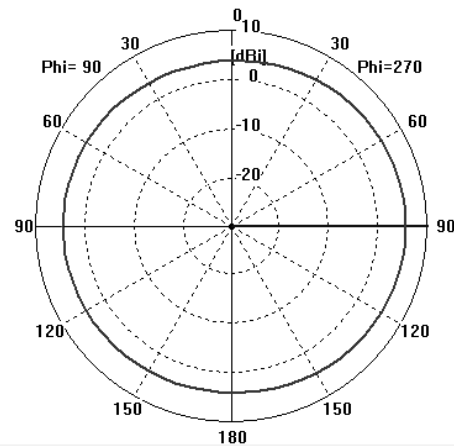


Figure 10 (c) : Radiation pattern of 4 slot array antenna (Co-polar)

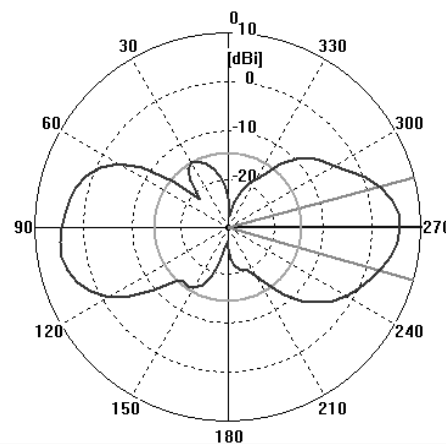


Figure 10 (d) : Radiation pattern of 4 slot array antenna (Cross-polar)

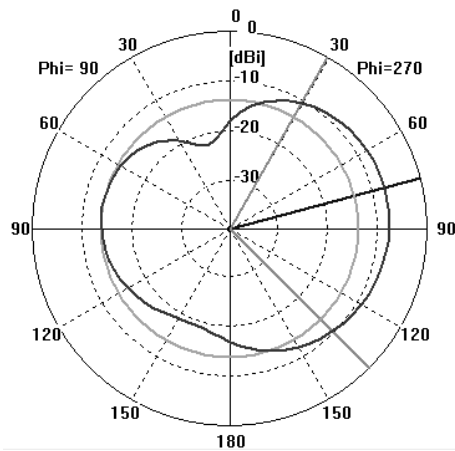


Figure 10 (e) : Radiation pattern of 6 slot array antenna (Co-polar)

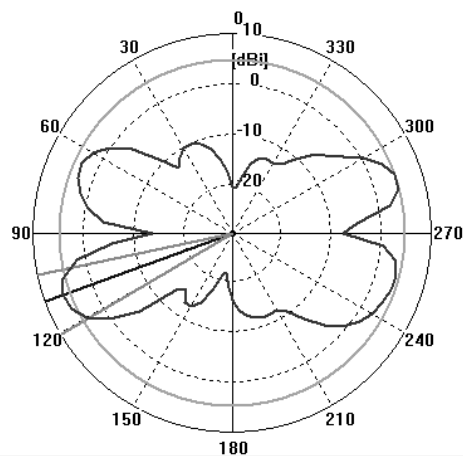


Figure 10 (f) : Radiation pattern of 6 slot array antenna (Cross-polar)

IV. CONCLUSION

Antenna based on SIW technology has been proposed in this article. The structure can find wide application in Ku band radar and remote sensing mechanism. Significant increment of gain parameter has been obtained for introduction of more number of slots. The effect has been extensively studied unlike any other recent publications in this field. The structure is very simple and development of the prototype is easy in presence of advanced fabrication technology.

ACKNOWLEDGEMENT

The author would like to express their deep gratitude and sincere thanks giving to Prof. Susanta Kumar Parui, Bengal Engineering & Science University for providing invaluable advices towards the completion of the work.

REFERENCES RÉFÉRENCES REFERENCIAS

1. C. Shi, H. Yousef, and H. Kratz, "- 79 GHz Slot Antennas Based on Substrate Integrated

- Waveguides (SIW) in a Flexible Printed Circuit Board," *IEEE Transactions on Antennas and Propagation*, vol. 57, pp. 71, 2009.
2. D. Deslandes and K. Wu. "Integrated Microstrip and Rectangular Waveguide in Planar Form", *IEEE Microwave and Wireless Component Lett.*, Vol. II, pp. 68-70. Feb. 2001.
3. F. Xu and K. Wu, "Guided-Wave and Leakage Characteristics of Substrate Integrated Waveguide," *IEEE Trans. on Microwave Theory and Techniques*, Vol. MTT-53, No. 1, pp. 66-73, Jan. 2005.
4. M. Bozzi, A. Georgiadis, K. Wu, "Review of substrate-integrated waveguide circuits and antennas", *Special Issue on RF/Microwave Communication Subsystems for Emerging Wireless Technologies*, doi: 10.1049/iet-map.2010.0463.
5. M. Henry, C. E. Free, B. S. Izqueirido, J. Batchelor, P. Young, "Millimeter wave Substrate Integrated Waveguide Antennas: Design & Fabrication Analysis", *IEEE TRANSACTIONS ON ADVANCED PACKAGING*, VOL. 32, NO. 1, FEBRUARY 2009.
6. A. J. Farrall and P. R. Young, "Integrated waveguide slot antennas", *IEEE Electronics Letters*, vol. - 40, pp. - 975, 2004.
7. Maurizio Bozzi, Feng Xu, Dominic Deslandes, Ke Wu, "Modeling and Design Considerations for Substrate Integrated Waveguide Circuits and Components", *Telsiks 2007, Serbia, Nis, September 26-28, 2007*.
8. D.V. Navarro, L.F. Carrera, M. Baquero, "A SIW Slot Array Antenna in Ku Band", Proceedings of the fourth European Conference on Antennas and Propagation.
9. Dae-Gi Yoon, Young-Pyo Hong, Yong-Jun An, Jeen-Sang Jang, Ui-Yong Pak, Jong-Gwan Yook, "High-gain Planar Tapered Slot Antenna for Ku-band Applications", Proceedings of Asia-Pacific Microwave Conference 2010.

This page is intentionally left blank

